

Technical Specifications - Atacama

MODEL	Dimensions mm		Conn	Cfm	Corrected Flow Rate			Included Filters	Max Working Pressure	Weight
	H1-W1-W2-D1-D2				m3/h	m3/min	l/s			
ATACAMA 5	420-366-245-226-106		1/4"	5	8.49	0.14	2.3	HF20-2&3	16 bar	14
ATACAMA 10	670-366-245-226-106		1/4"	10	17	0.28	4.7	HF20-2&3	16 bar	18
ATACAMA 15	920-366-245-226-106		1/4"	15	25.5	0.42	7.1	HF20-2&3	16 bar	24
ATACAMA 20	1120-366-245-226-106		1/4"	20	34	0.57	9.4	HF20-2&3	16 bar	28
ATACAMA 35	992-550-375-273-160		1/2"	35	59.5	0.99	16.5	HF72-2&3	16 bar	51
ATACAMA 50	1242-550-375-273-160		1/2"	50	84.95	1.41	24	HF72-2&3	16 bar	60
ATACAMA 75	1036-755-495-338-220		1"	75	127.4	2.12	36	HF120-2&3	16 bar	93
ATACAMA 100	1386-755-495-338-220		1"	100	170	2.83	47	HF120-2&3	16 bar	114

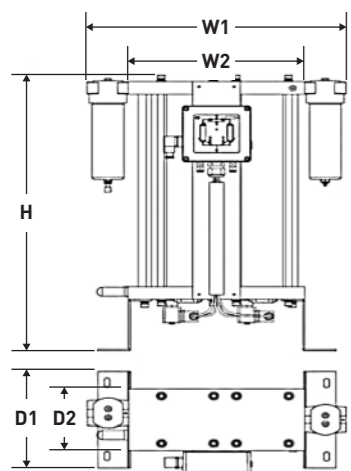
Technical Specifications - Atacama-CT (Breathing Air)

MODEL	Masks	Dimensions mm		Conn	Cfm	Corrected Flow Rate			Included Filters	Max Working Pressure	Weight
		H1-W1-W2-D1-D2				m3/h	m3/min	l/s			
ATACAMA 10-CT(BA)	1	672-515-355-226-106		1/4"	7	12	0.2	3.3	HF20-2&3	16 bar	30
ATACAMA 15-CT(BA)	2	922-151-388-226-106		1/4"	13	22	0.36	6.1	HF20-2&3	16 bar	38
ATACAMA 20-CT(BA)	3	1122-151-388-226-106		1/4"	18	30	0.5	8.5	HF20-2&3	16 bar	44
ATACAMA 35-CT(BA)	4	995-773-590-273-160		1/2"	26	44	0.73	12	HF72-2&3	16 bar	77
ATACAMA 50-CT(BA)	5	1245-773-590-273-160		1/2"	35	59	0.99	17	HF72-2&3	16 bar	92
ATACAMA 75-CT(BA)	6	1037-1050-780-338-220		1"	54	91	1.53	26	HF120-2&3	16 bar	145
ATACAMA 100-CT(BA)	12	1387-1050-780-338-220		1"	80	135	2.26	38	HF120-2&3	16 bar	178

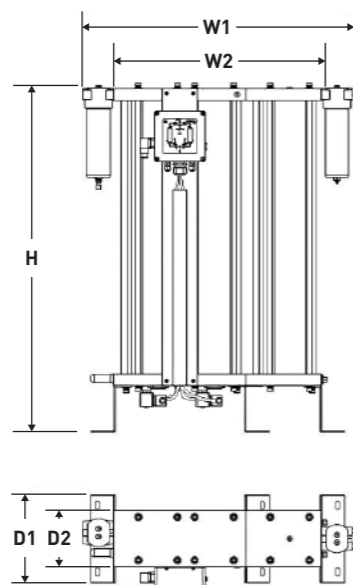
Technical Specifications - Atacama CT

MODEL	Dimensions mm		Conn	Cfm	Corrected Flow Rate			Included Filters	Max Working Pressure	Weight
	H1-W1-W2-D1-D2				m3/h	m3/min	l/s			
ATACAMA 10-CT	672-515-355-226-106		1/4"	10	17	0.28	4.7	HF20-2&3	16 bar	30
ATACAMA 15-CT	922-151-388-226-106		1/4"	15	25.5	0.42	7.1	HF20-2&3	16 bar	38
ATACAMA 20-CT	1122-151-388-226-106		1/4"	20	34	0.57	9.4	HF20-2&3	16 bar	44
ATACAMA 35-CT	995-773-590-273-160		1/2"	35	59.5	0.99	16.5	HF72-2&3	16 bar	77
ATACAMA 50-CT	1245-773-590-273-160		1/2"	50	84.95	1.41	24	HF72-2&3	16 bar	92
ATACAMA 75-CT	1037-1050-780-338-220		1"	75	127.4	2.12	36	HF120-2&3	16 bar	145
ATACAMA 100-CT	1387-1050-780-338-220		1"	100	170	2.83	47	HF120-2&3	16 bar	178

Dimensional Drawing - Atacama



Dimensional Drawing - Atacama CT



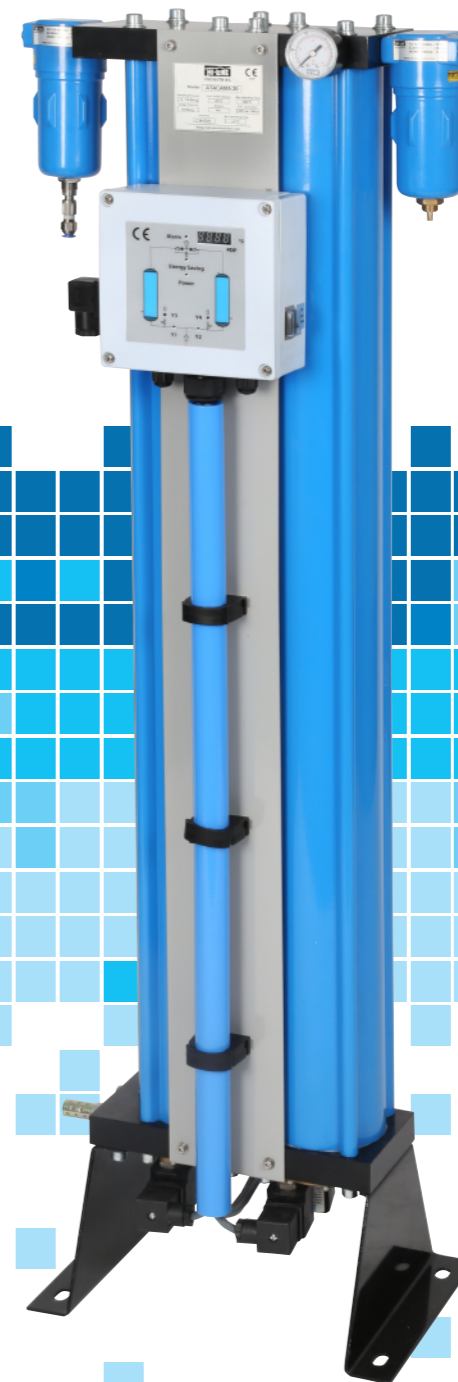
HDC1 Digital Dewpoint Display

Hi-line Industries Ltd.
 5 Crown Industrial Estate
 Oxford Street
 Burton-upon-Trent
 Staffordshire
 DE14 3PG

Tel: 01283 533 377 Fax: 01283 533 367
 Email: enquiries@hilineindustries.com
www.hilineindustries.com

ATACAMA

High Quality Compressed Air
 - At Point of Use



MEDICAL
 DENTAL
 PHARMACEUTICAL
 MANUFACTURING

ATACAMA Adsorption Dryer

The ATACAMA point of use dryer is designed with reliability at the forefront, has no shuttle valves and uses only positively driven valves. Eliminating any chance of valve failure and extending service periods. The standard unit dries air to a dewpoint of -40C and comes with pre and after filtration. Lower dewpoint models are available on request.

The proven extruded aluminium technology is ideal for an array of applications, including dental, medical, powder coating, printing and laser technology, pneumatic control, plasma cutting and general manufacturing.

The ATACAMA is available from 5cfm to 100cfm and is an off the shelf product for next day delivery.

ATACAMA Principles of Operation

ATACAMA comprises of aluminium top and bottom valve blocks and extruded aluminium chambers filled with desiccant (DRI-ZORB 27).

The air is dried as the air passes through the desiccant bed. One chamber is drying, whilst the other chamber is regenerating using the PSA principle (Pressure Swing Adsorption). The change is automatic and controlled by the digital controller.

A small amount of the dried compressed air is used to regenerate the saturated desiccant bed by expanding the dry air from line pressure to atmospheric pressure removing the moisture absorbed by the desiccant and therefore regenerating the dryer.

ATACAMA Dewpoint control

The ATACAMA dryer has fitted as standard a digital controller and a dewpoint control function. This energy saving system requires only a dewpoint hydrometer probe to be added on the dryer to give full dewpoint control with the dewpoint LED displayed in the top right corner of the control panel.

This smart controller can be added to all makes of dryer as an energy saving option.



ATACAMA-CT

The Atacama CT (Carbon Tower) is a three stage dryer with the CT added after the adsorption dryer. Clean dry air passes through the third stage and adsorbs gases and aerosols dependant on requirements and which zeolites are selected. This makes the Atacama extremely flexible and can be used in many specific applications.

CLASS '0' Oil Free

To achieve Class '0' the air needs to be oil free, this can be achieved with an ATACAMA-CT. With the third tower filled with high quality carbon. Even on a fully oil lubricated screw, vane or piston compressor the ATACAMA-CT will achieve better than ISO 8573-1:2010 Class 1.

This will give a total concentration of oil of less than 0.003 mg/m³, which is significantly less than is normal in atmospheric air in our home and work places. Suitable for food production, medical air and anywhere that oil free air is specified.

BREATHING AIR

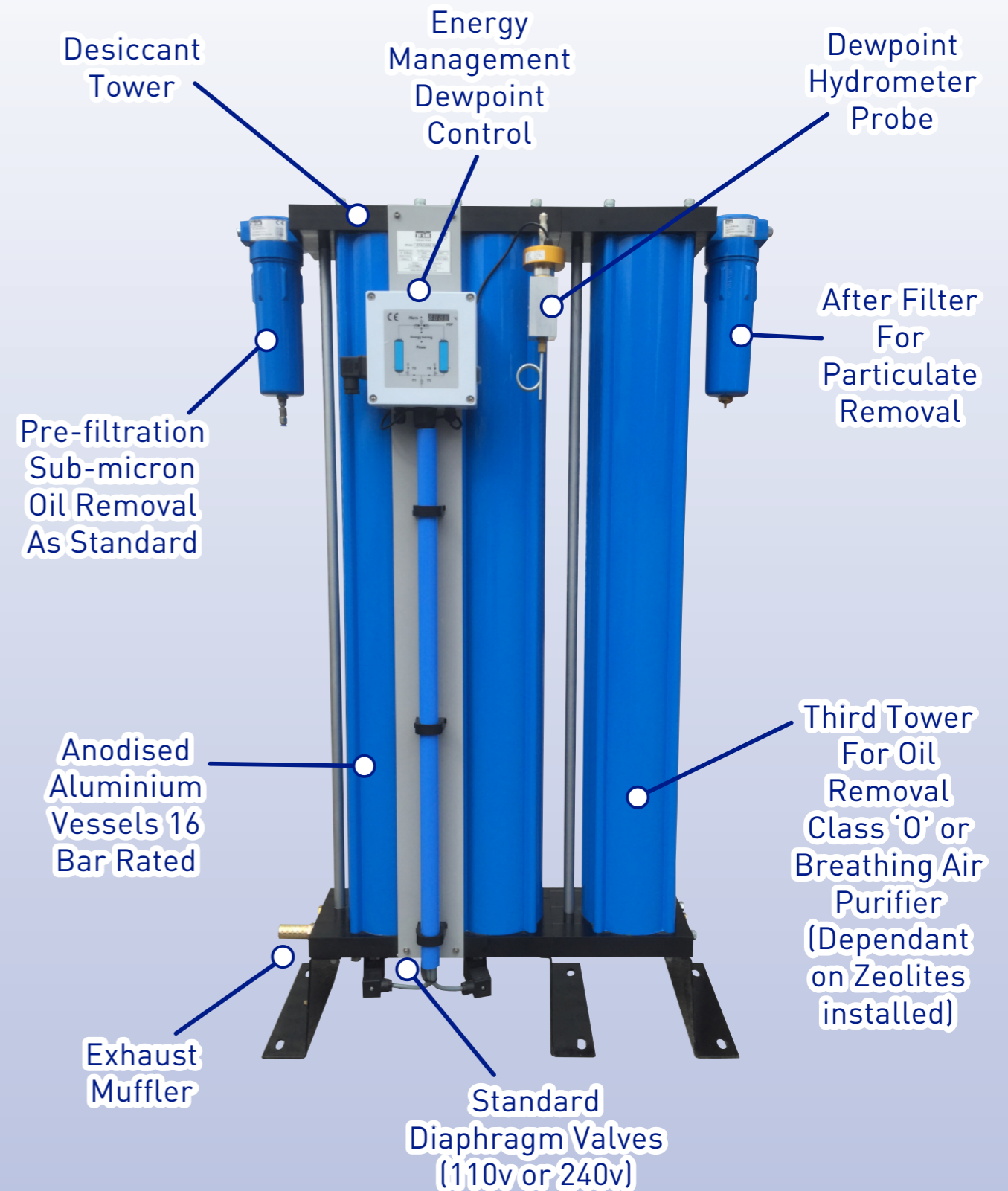
The versatile ATACAMA-CT was first designed as a Breathing Air Purifier and to conform to International Breathing Air Standards. In Europe BS EN12021 & EN12021:2014 and CGA G-7.1-2011 Grade D in the USA.

Europe BS EN12021 & EN12021:2014

Odour	The gas shall be free from unsatisfactory odour or taste.
Oxygen	[21 ± 1]%
Carbon Dioxide	≤ 500 PPM
Carbon Monoxide	≤ 5 PPM
Oil	≤ 0.5 mg/m ³
Water Airline <40Bar	Where the apparatus is used and stored at a known temperature the pressure dewpoint shall be at least 5°C below likely lowest temperature. Where the conditions of usage and storage of any compressed air supply is not known the pressure dewpoint shall not exceed -11°C.

In the Atacama CT all of the above values are greatly over achieved by using a mixed bed in the third tower consisting of Hopcalite, Activated Carbon and 13 X Molecular Sieve. Providing the operator with high quality breathing air at an affordable price, whilst being compliant with British & European Legislation.

ATACAMA-CT



Available from 0.2 m³/min to 2.83 m³/min